

□ **GLC-501C**

□ **GLC-501BN**

gemline

## **Single Handle Lavatory Faucet**

# Product Spec Sheet



### **FEATURES & BENEFITS**

- This Product Contains Less Than 0.25% Weighted Average Lead Content On Wetted Surfaces
- Metal Pop-Up
- Washerless Cartridge
- Integrated Supply Lines
- Max Flow Rate 1.2 gpm (4.5L/min) at 60 psi (ASME A112.18.1/A112.18.1)

GLC-501C  
Chrome Finish

GLC-501BN  
Brushed Nickel Finish

### **Approvals:**

#### **Meets or Exceeds The Following:**

- \* ANSI/ASME A112.18.1/A112.18.1
- \* NSF/ANSI 61 - Sec. 9
- \* NSF/ANSI 372
- \* IAPMO/cUPC
- \* CA AB1953
- \* ADA Compliant
- \* EPA WaterSense
- \* NSF/ANSI/CAN 61:Q ≤ 1



**TEL:** 888-649-0605

**FAX:** 877-892-1950

Visit Our Web Site : [www.gemlinefaucets.com](http://www.gemlinefaucets.com)

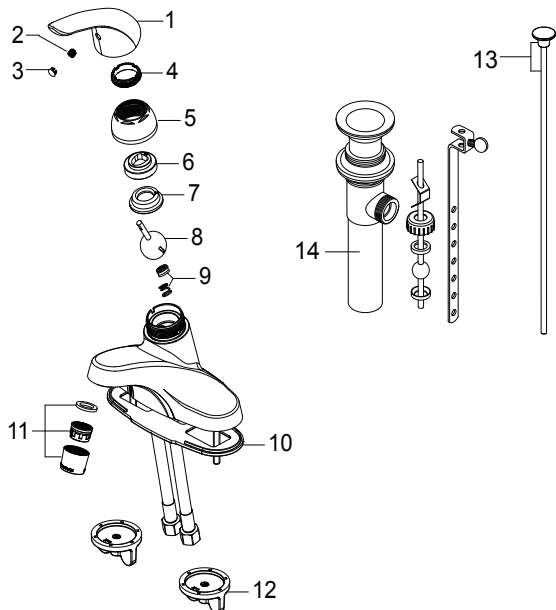
□ **GLC-501C**

□ **GLC-501BN**

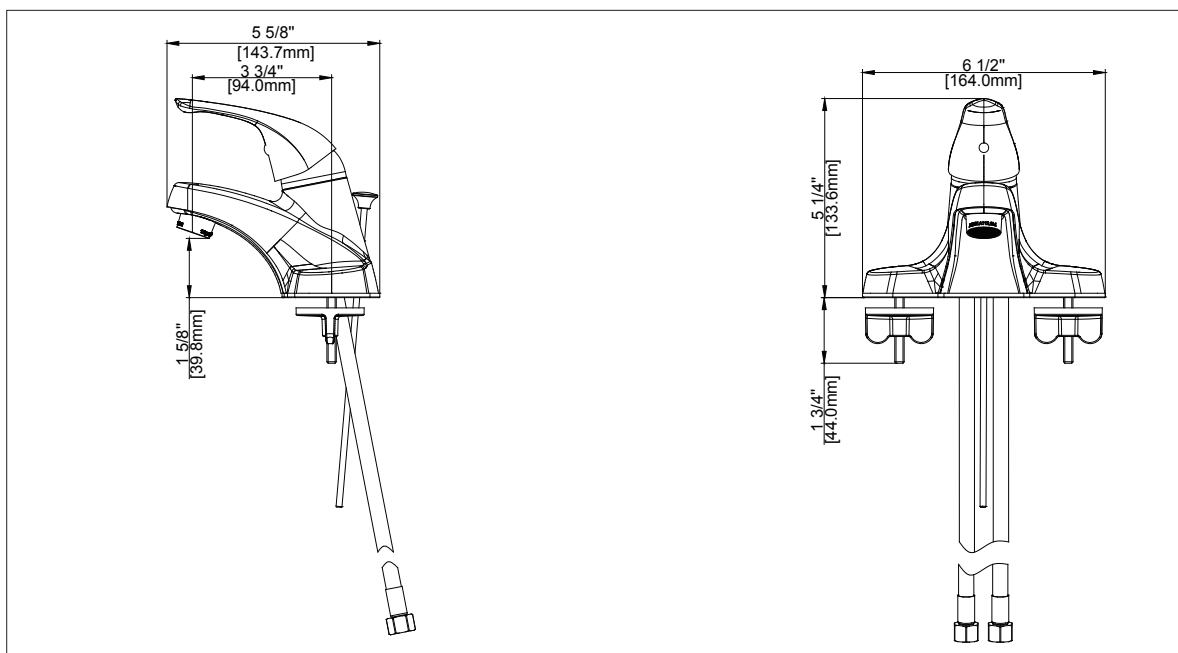
gemline

## Single Handle Lavatory Faucet

No.	Name	Part No.
1	Handle / Llave	RP13163*
2	Set screw / Tornillo de fijación	RP50054
3	Index / Índice	RP10042
4	Bonnet / Bonete	RP70371
5	Cap / Tapa	RP80756*
6	Cam / Leva	RP70107
7	Cam washer / Arandela de leva	RP70108
8	Mixer ball / Bola de la mezcladora	RP22007
9	Seat & Spring / Base y resorte	RP22008
10	Gasket / Junta	RP80751
11	Aerator / Aireador	RP30190*
12	Nut / Tuerca	RP56150
13	Lift rod & Lift Rod knob / Perilla de la varilla de extensión & Varilla de elevación	RP40006*
14	Pop-up Assembly Less Lift Rod / AEnsamble del Desagüe Automático Menos la Barra de Alzar	RP40001*



\* Specify Finish  
\* Especifique el Acabado



**Product Spec Sheet**

TEL: 888-649-0605 FAX: 877-892-1950

Visit Our Web Site : [www.gemlinefaucets.com](http://www.gemlinefaucets.com)